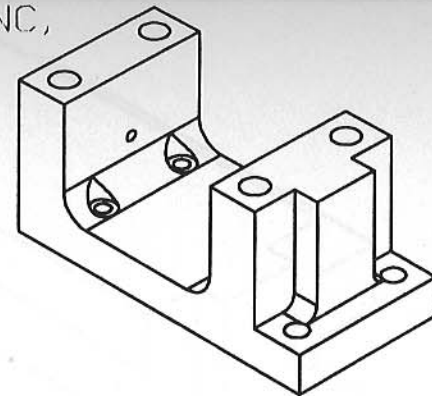
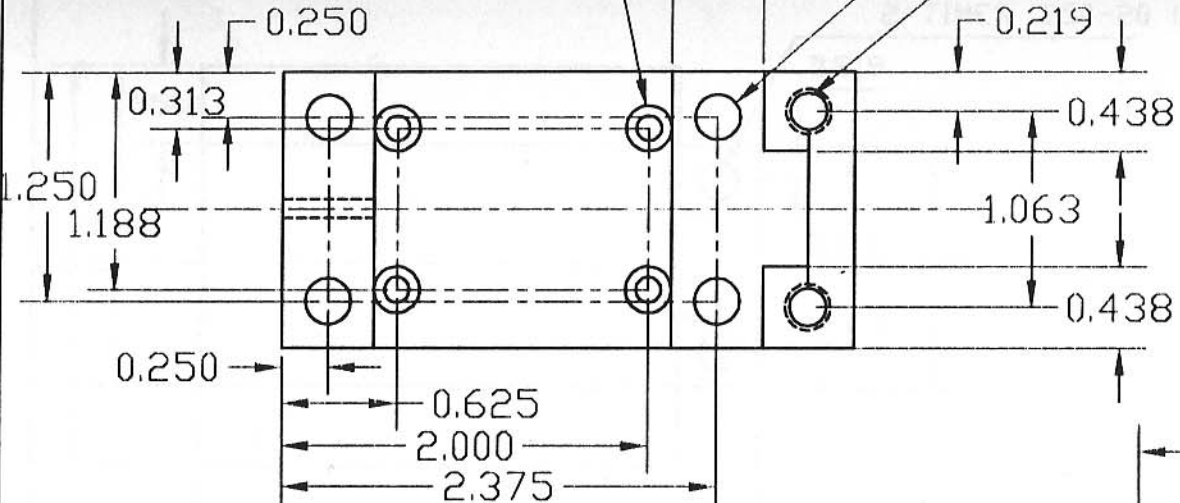


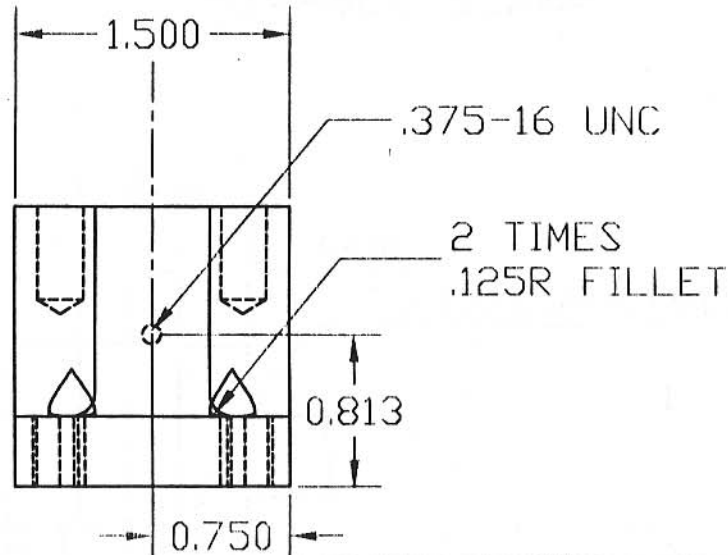
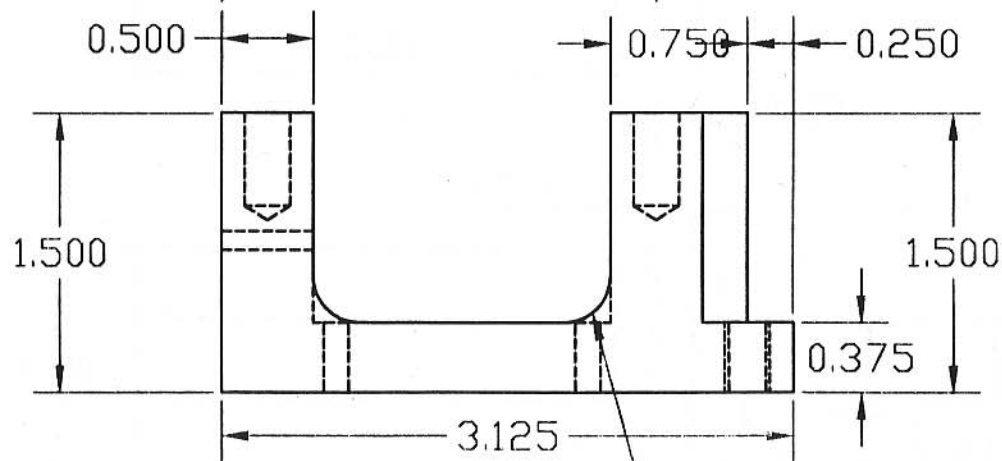
4 TIMES .138 THROUGH,
WITH .250 COUNTERSINK
TO ADJACENT SURFACE

4 TIMES .250-20UNC,
.500 DEEP

2 TIMES .250-20 UNC



MEASUREMENT
DOLLY



2 TIMES .250R FILLET

.375-16 UNC

2 TIMES
.125R FILLET

MATERIAL:
ALUMINUM 6061
BATCH OF 1

S.W.I.F.T.

ALL DIMENSIONS IN INCHES
TOLERANCES: .xx +/- .01
.xxx +/- .001

Drawn by: M.Prados	Checked: M.Polad	Scale 1:2
Sheet 1 of 1	Rev B	Number 3